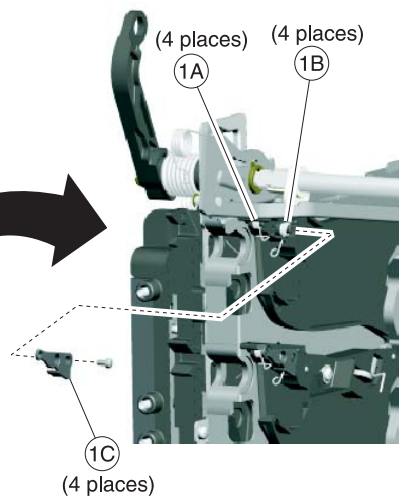


1F
(8 places)

1E
(4 places)

1D
(8 places)



(4 places)
1A

(4 places)
1B

1C
(4 places)